

## G301-1930 Full Extension Slide (Bracket Mount)

Max load 63 kg · Bracket mount

### Features

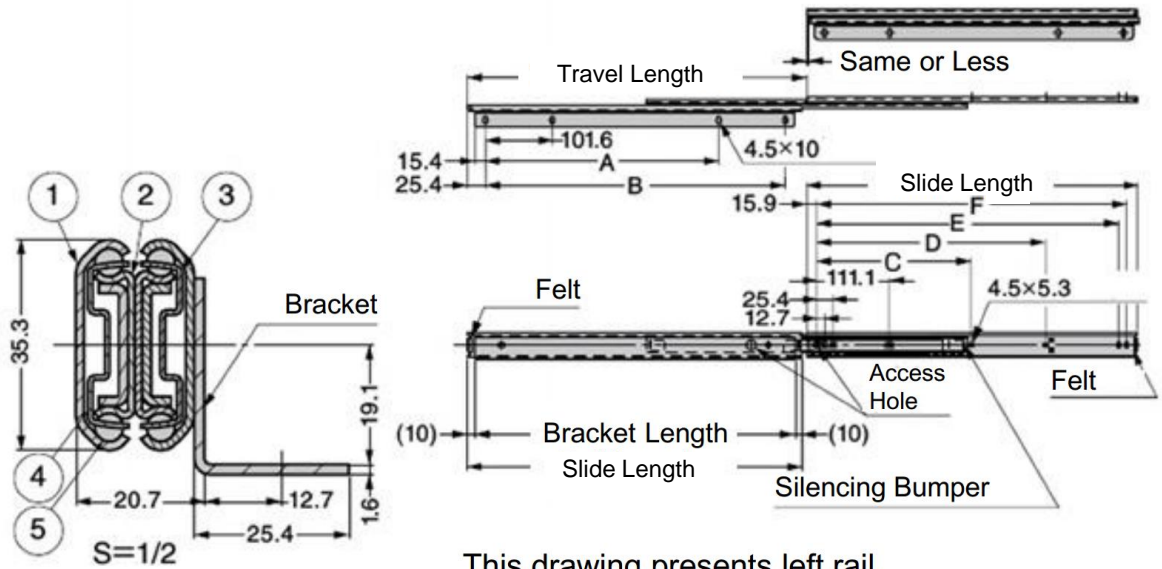
- Full extension, 3 members slide
- Bracket attached on inner member

### Recommended Screws

- M4 binding or M4 truss screw



Above example is a right sided slide



This drawing presents left rail.

No.	Part Name	Material	Finish/Colour
①	Outer Member	Steel (SPCC)	Clear Zinc Chromate (Trivalent)
②	Middle Member		
③	Inner Member		
④	Retainer	Steel (SECC)	(Zinc Plating)
⑤	Steel Balls	Steel (SWCH)	-

Sold by pair

Part No.	Slide Length	Travel Length	A	B	C	D	E	F	Load Capacity (per pair)	
C301-1930-12	304.8	327	152.4	254	-	149.2	260.3	273	618 N	63 kg
C301-1930-14	355.6	377	203.2	304.8		200	311.1	323.8	598 N	61 kg
C301-1930-16	406.4	429	254	355.6		250.8	361.9	374.6	579 N	59 kg
C301-1930-18	457.2	480	304.8	406.4	212.7	301.6	412.7	425.4	549 N	56 kg
C301-1930-20	508	530	355.6	457.2	238.1	352.4	463.5	476.2	530 N	54 kg
C301-1930-22	558.8	581	406.4	508	263.5	403.2	514.3	527	490 N	50 kg
C301-1930-24	609.6	632	457.2	558.8	288.9	454	565.1	577.8	451 N	46 kg
C301-1930-26	660.4	683	508	609.6	314.3	504.8	615.9	628.6	422 N	43 kg
C301-1930-28	711.2	733	558.8	660.4	339.7	555.6	666.7	679.4	373 N	38 kg